

JRC SART (SEARCH AND RESCUE RADAR TRANSPONDER)

JQX-30 A



Designed in compliance with the carriage requirements for the GMDSS

The JQX-30 A is a portable type of search and rescue radar transponder.

The Search and Rescue Radar Transponder (SART) is life-saving equipment used for locating survivors in distress as an indispensable in the "Global Maritime Distress and Safety System" (GMDSS). When its radar receiver is triggered by an interrogating radar of 9 GHz band on a search and rescue ship or aircraft, the SART transmits a coded response signal to inform the searcher of the survivors' position through the radar display.

The SART JQX-30 A conforms with the IMO, ITU, IEC and other international regulations and national regulations.

FEATURES

- Heavy Duty Design
- High Reliability/Maintenance Free
- Easy to Hand-carry
- Easy to Fit
- Easy to Operate
- Easy Homing by Rescue Radar (See photo below)
- Give Confidence to Survive by Red Indicator Illumination
- Automatic Response in Wide Range



Photo 1
Portable SART

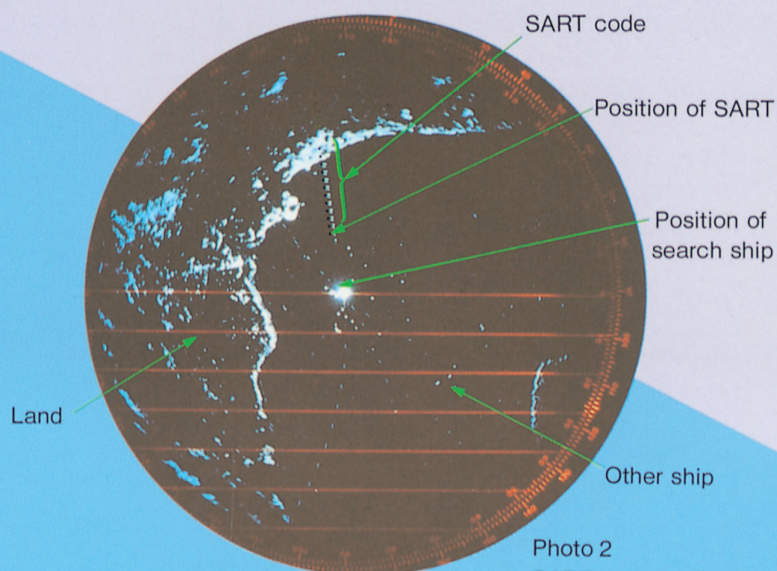


Photo 2
SART code on the indicator
of a radar for ship

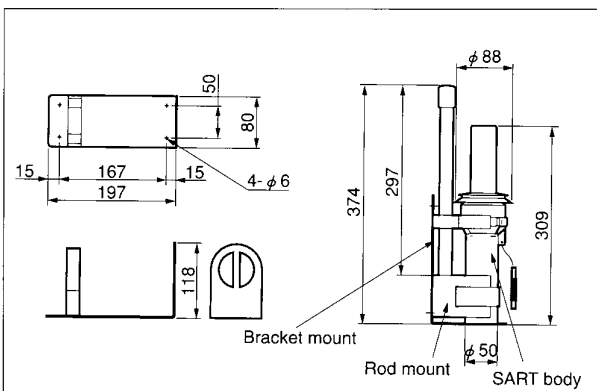


Japan Radio Co., Ltd.

SPECIFICATIONS

FREQUENCY RANGE	: 9,200 to 9,500 MHz
POLARIZATION	: Horizontal
FORM OF SWEEP	: Sawtooth Forward : $7.5 \mu\text{s} + / - 1 \mu\text{s}$ Return : $0.4 \mu\text{s} + / - 0.1 \mu\text{s}$ The frequency sweep commences with a return sweep.
PULSE EMISSION	: $100 \mu\text{s}$
E. I. R. P.	: 400 mW or more
EFFECTIVE RECEIVER SENSITIVITY	: -50 dBm or better
DURATION OF OPERATION	: 96 hours in stand-by state followed by more than 8 hours of transponder transmissions while being continuously interrogated with a pulse repetition frequency of 1 kHz.
TEMPERATURE RANGE	: Operating : -20°C to $+55^\circ\text{C}$ Ambient : -30°C to $+65^\circ\text{C}$
ANTENNA BEAMWIDTH	: Vertical : $\pm 12.5^\circ$ relative to the horizontal plane of the SART
Azimuth	: Omnidirectional

DIMENSIONS AND WEIGHT



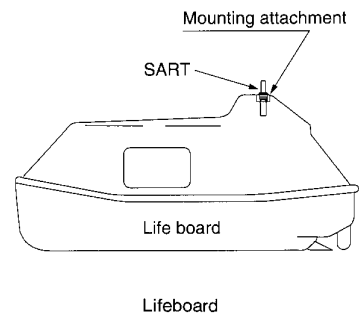
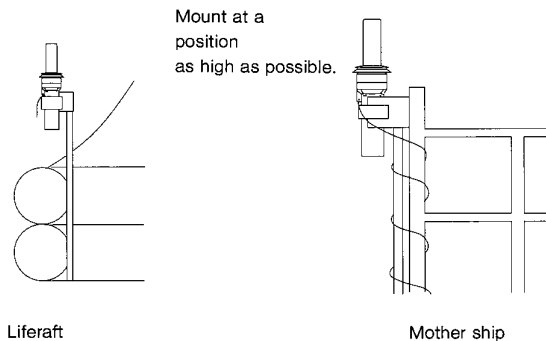
Mounting bracket mount

Weight : SART body : Approximately 600 g
Rod mount : Approximately 200 g
Bracket mount : Approximately 440 g

FITTING EXAMPLES

The JQX-30 A has a rod mount installed.
When using the JQX-30 A, invert and reinstall this rod mount, then extend the rod part. Thus, the rod mount can be used as a fitting to extend the antenna height to 1 meter or more.

To mount the JQX-30 A, fix it at a position of good view using the attached string. For a closed type lifeboard, an optional mounting attachment is available for convenient mounting of the JQX-30 A.



※Specifications subject to change without notice.

For further information, contact:



Since 1915

Japan Radio Co., Ltd.

URL <http://www.jrc.co.jp/>

Main Office: Akasaka Twin Tower(Main), 17-22, Akasaka 2-chome, Minato-ku, Tokyo 107-8432, JAPAN
Telephone: Tokyo(03)3584-8788
Facsimile: Tokyo(03)3584-8795
Telex: 2425420 JRCTOK J Cable: JAPANRADIO TOKYO
Overseas Branches : Seattle, London
Liaison Offices : Kaohsiung, Manila, Bangkok, Singapore, Jakarta, New Delhi, New York, Rotterdam, Piraeus, Las Palmas

19EM

ISO9001, ISO14001 Certified

© 1997.7

'00.8

CAT.No.Y14-175 (No.676-4-4) HK Printed in Japan